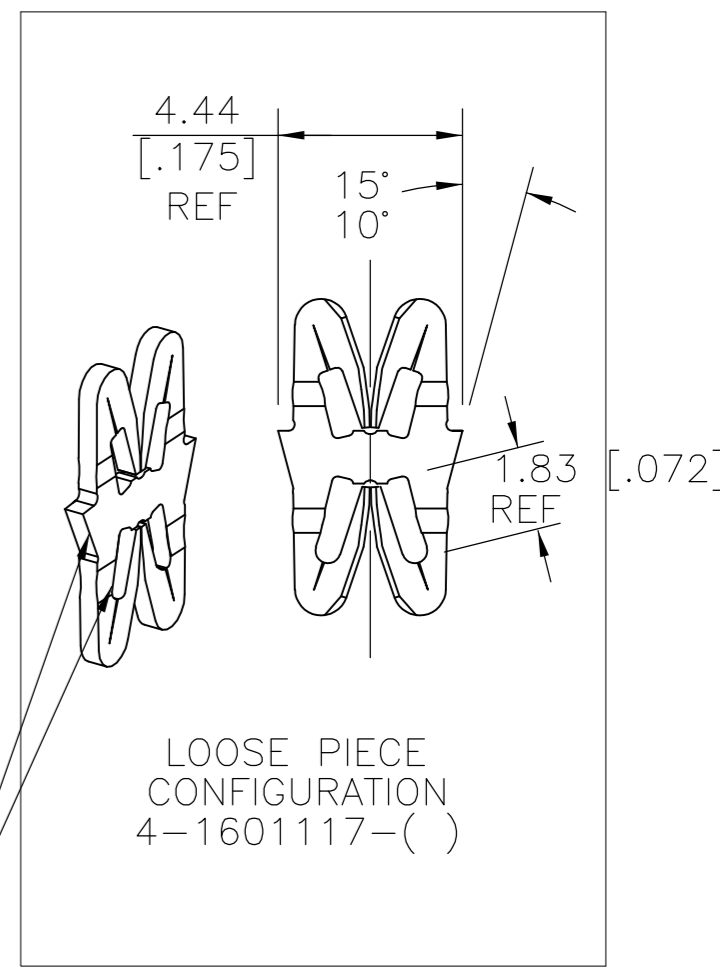
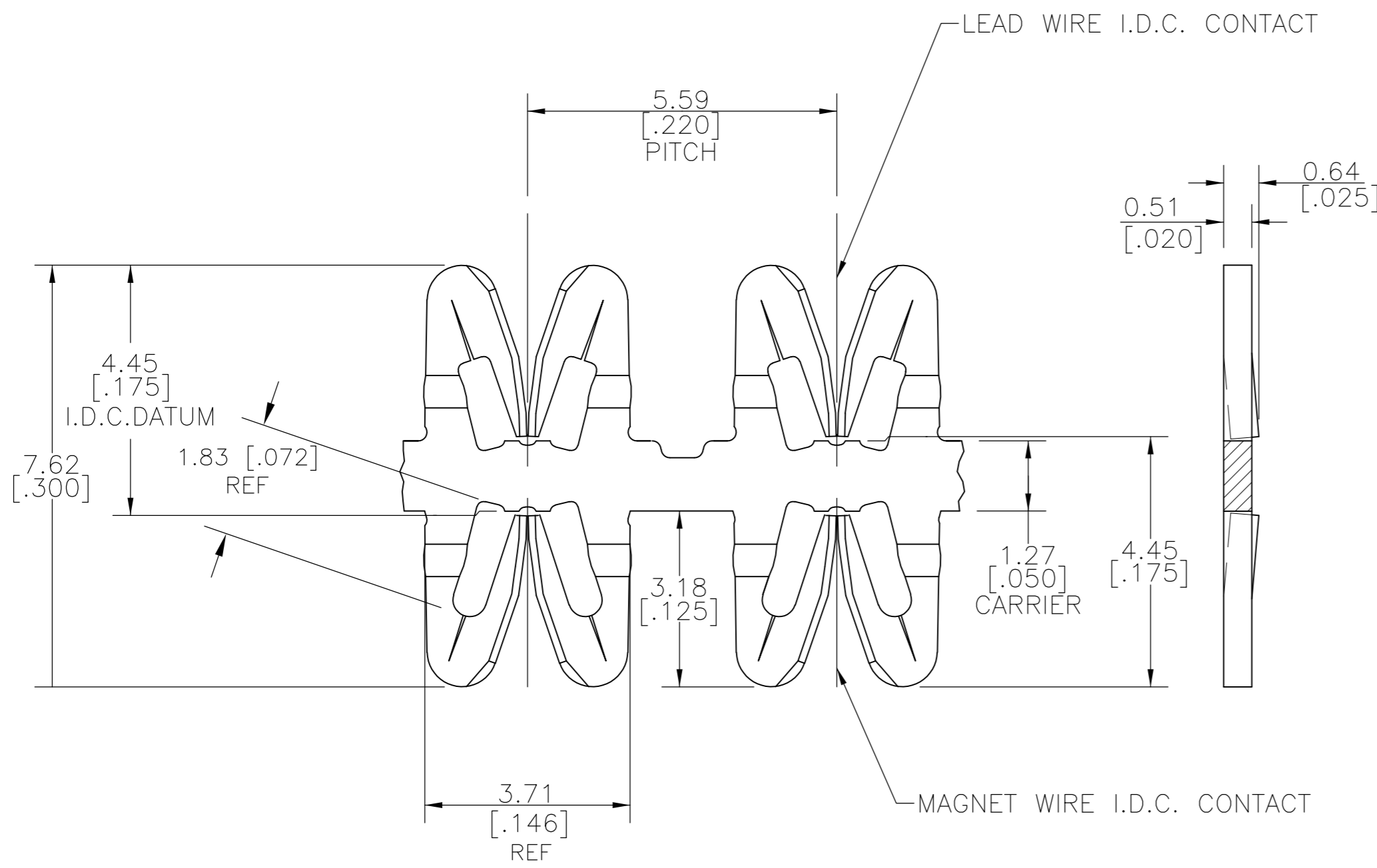


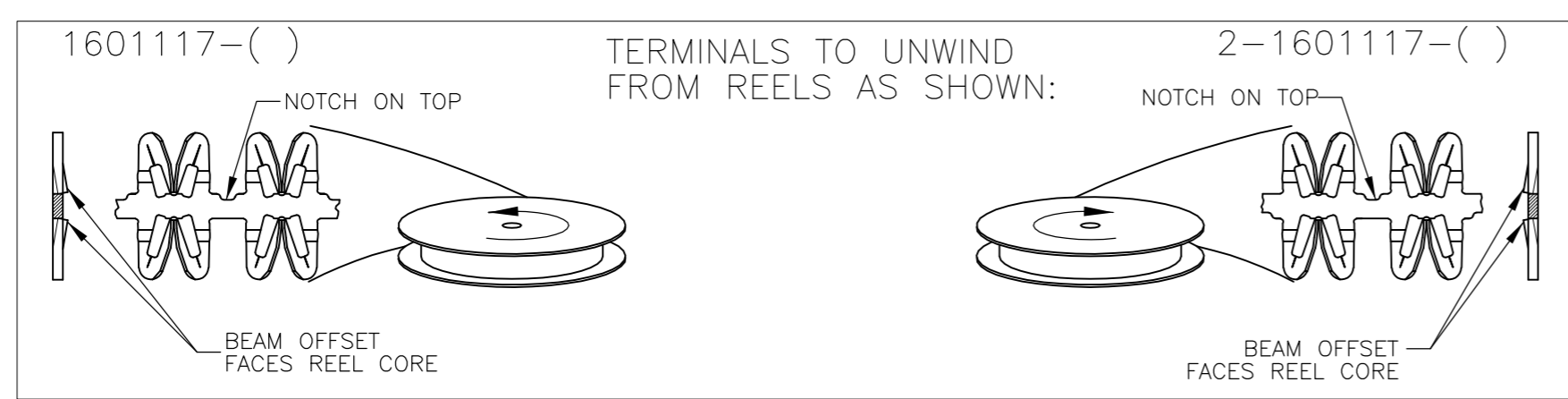
THIS DRAWING IS UNPUBLISHED. RELEASED FOR PUBLICATION
 © COPYRIGHT BY TYCO ELECTRONICS CORPORATION. ALL INTERNATIONAL RIGHTS RESERVED.

LOC	DIST	REVISIONS			
P	LTR	DESCRIPTION	DATE	DWN	APVD
AF	50				
		C4 REVISED PER ECR-08-022956	15SEP08	HMR	GJ

- SPECIFICATIONS
 MAGNET WIRE: #27-#36 AWG,
 0.36-0.13 [.014-.005] mm DIA. COPPER
 LEAD WIRE: 0.8-0.3mm2 [#18-#22] AWG, STRANDED, BONDED, OR
 SOLID WITH PVC INSULATION. MAX INSULATION OUTSIDE DIA
 2.9mm [.115] NO STRIPPING REQUIRED. OTHER INSULATION
 TYPES MAY BE ACCOMMODATED, CONSULT
 TYCO ELECTRONICS FOR APPROVAL.
- POCKET RECOMMENDATION: 1601421.
 ALTERNATE POCKET : #1601462.
- △ TERMINAL APPLICATION TO COMPLY WITH TYCO ELECTRONICS
 SPECIFICATION 114-13166 FIGURE 3 OR 4.



NOTE: BARB DIRECTION RELATIVE TO WINDOW LENGTH



UNPLATED	-	4-1601117-1
UNPLATED	150-010-000	2-1601117-1
UNPLATED	150-003-000	1601117-1
FINISH	REFERENCE PART NUMBER	PART NUMBER
THIS DRAWING IS A CONTROLLED DOCUMENT.		DWN J.WELLER 11JAN2002 CHK M.FEHER 17DEC03 APVD K.RANDOLPH 11JAN2002 Tyco Electronics Corporation Harrisburg, PA 17105-3608
DIMENSIONS: INCHES	TOLERANCES UNLESS OTHERWISE SPECIFIED:	NAME
	0 PLC ± - 1 PLC ± 0.25 [.01] 2 PLC ± 0.13 [.005] 3 PLC ± - 4 PLC ± - ANGLES ± 2°	FINE RANGE WIRE TO STD. WIRE SIAMEZE TERMINAL
MATERIAL: BRASS, HOB	FINISH: SEE TABLE	PRODUCT SPEC: 108-2244 APPLICATION SPEC: △ 3 WEIGHT: - CUSTOMER DRAWING
		SIZE: A2 CAGE CODE: 00779 DRAWING NO: C=1601117 RESTRICTED TO: - SCALE: 11:1 SHEET: 1 OF 1 REV: C4